



fabric light boxes

corporate interior

tradeshow

retail decor



## Overview

KMG Groove is a revolutionary fabric framing system that uses a unique smooth surface aluminum extrusion system to showcase richly printed fabric graphics with minimal emphasis on the frame itself. Graphic panels fit on the front face of the square edge extrusion with absolute ease for quick and simple set up and replacement. The collection offers several sizes and styles of extrusion to cover a variety of uses from retail window displays to four-wall meeting rooms for trade show exhibits. Groove is compatible with many traditional trade show systems, including KMG Max and other third party extrusion systems, and mixes well with classic KMG framing, giving designers inspiration and flexibility when creating new and imaginative environments.



## Why Groove?

- KMG Groove's stretch fabric graphics give the impression of a **hard panel** at a fraction of the weight.
- Almost **effortless installation** ensures that a flawless clean look can be achieved for each panel with very little set-up time.
- Multiple extrusion sizes and bending capabilities allow for **flexible design** and **countless configuration possibilities**.
- Groove's patent pending mitered corner frame system utilizes single turn, positive engagement **Tension Lock corners** that have industry leading strength and ease of assembly.
- KMG Company backs each display with years of industry **expertise, quality, service and innovation** to offer the best experience possible.
- **Fully integrated** facilities allow graphic and frame to be produced together, ensuring a **perfect fit** before the product ships.
- Groove is **lightweight and portable**, allowing graphics to go from trade show to boardroom and everywhere in between with **minimal hassle**.
- Fabric graphics are produced on a high quality **Engineered Fabric** using an exclusive **Photo Fabric®** dye sublimation process.

## Frames & Connectors

KMG Groove displays are designed to be assembled quickly and easily. Constructed with strong yet lightweight anodized 6063 T6 aluminum, the system features a unique Solid Lock mitered corner connection that fastens into place with one quick turn of a simple torx wrench. This patent pending corner consists of two key elements: (1) A beefy male / female interface to handle the demanding tensional loads common to most applications and, (2) a patented Tension Lock mechanism that pulls the corner to create rigidity and tightness. Groove is unique in the market with this 2-part corner design and the performance benefits it provides.



## Bending & Powder Coating

KMG Company offers bending and powder coating services for certain parts in the Groove product line. There are two different ways to bend Groove extrusion: horizontally and vertically. Horizontal bends are ideal for three-dimensional displays like concave or convex curved walls. Vertical bends allow you to create more organic shapes such as circular panels. Powder coat your creation for a colorful finishing touch.



## Graphics

Enhance your design with the highest quality printed fabric graphics in the industry. KMG Groove graphics are produced on a wrinkle resistant, flame retardant Engineered Fabric via an exclusive Photo Fabric® dye sublimation process. Graphics feature a unique Tension Strip sewn directly into the fabric that simply slides into the extrusion channel with little effort, allowing displays to piece together quickly and easily. Graphics may be single sided or double sided and can be printed on either opaque Ultra Stretch or translucent Mesh Stretch. Double sided extrusions and the two coordinating graphics are also liner-friendly, allowing for an optional third ply to be affixed to an interior groove on most extrusions.



## Shipping & Packaging

KMG Groove offers a variety of shipping options ranging from cardboard boxes to rotationally molded hard cases to wooden crates depending on the application and

customer needs. All Groove displays come standard with free reusable corner protectors to assure a clean, exact corner every time.

KMG Groove has the distinct ability to be displayed several different ways. This unique feature gives you the flexibility to place your graphics wherever you need: hung on the wall, suspended from the ceiling, floor-supported, self-supported or even attached to another KMG Company or third party display system.

## Wall Mounted

The wall mounting application is a popular method to showcase retail graphics, corporate messaging or permanent signage. The extrusion is compatible with optional hardware that will allow it to easily attach to a wall like a photo frame. The Z-shaped cleat is attached to the wall and Groove is attached to the cleat, making for quick and easy installation. This creates a simple and easy method for graphic change-outs as the frame can remain on the wall or be easily brought down to floor level. The cleats may also be screwed directly into extrusion for permanent installation and greater security. All hardware connections are completely hidden behind the fabric graphics, giving the display a neat and clean appearance.

### Used With

- All General Use & Special Use Extrusion
- Wall Mounting Hardware



## Overhead Rigging

Create eye-catching overhead signage by suspending Groove graphics from the ceiling or other structural supports. The barely visible edges of the framing will lend a clean, "floating" look to panels suspended using this method.

### Used With

- All General Use & Special Use Extrusion



## Floor-Supported

Linear panel graphic walls can be readily transformed to on-the-go branding with the simple addition of Groove base plates. Floor-supported messaging is lightweight and portable, giving you the flexibility to use them as backdrops, directional signage, room dividers, trade show panels and more. Base plates ranging from 300x80mm to 800x150mm offer floor support for a range of display sizes and needs in a variety of different environments.

### Used With

- 30mm Smooth- 1 Groove
- 40mm Smooth- 2 Groove
- 40mm Slotted- 2 Groove
- 80mm Smooth- 2 Groove
- Base Plates



## Self-Supported

Two, three and four-paneled rooms built with Groove are fully self-supportive, requiring no rigging or additional support. These three-dimensional displays offer a quick and creative solution to define special use spaces on the trade show floor or a traveling environment for retail product promotion.

### Used With

- 40mm Slotted- 2 Groove
- 40mm Smooth- 2 Groove
- 80mm Smooth- 2 Groove
- 40 x 40mm Corners
- 80 x 80mm Corners
- Feet
- Flush Connectors



## Universal Attachment

KMG Groove is unique in that it conveniently flush connects to itself and other extrusion frame systems such as KMG Max and third party systems like Octanorm™ and Agam™. This unique flush connection mechanism uses a quick and simple Tension Lock to flush mount extrusion parallel to one another. Freshen up an existing display with the addition of a few Groove fabric graphic panels.

### Used With

- 40mm Smooth- 2 Groove
- 40mm Slotted- 2 Groove
- 80mm Smooth- 2 Groove
- Flush Connectors



## Continued Innovation

Be sure to ask your Account Team about Groove's [backlighting capabilities](#) and [wood grain application](#).

Groove's backlighting feature allows you to create stunning light box displays from 80mm extrusion—the lowest profile extrusion available on the market for light box applications. Add a dramatic effect by illuminating your message with KMG Company's superior quality printed fabric graphics.

Give your display the look of a wooden frame without hassling with the maintenance, weight and cost of real wood. Our special wood grain vinyl tape adheres directly to the extrusion and is pre-installed. It's perfect for when your messaging calls for a more earthy, rustic feel. Choose from Oak or Walnut.

KMG Company is dedicated to the development of these and other innovations unique to the Groove system. While final details have not been solidified, these applications are currently available for order. In an effort to be environmentally friendly and avoid unnecessary printing, KMG Company will continue to use a digital version of this catalog until information on developing projects is fully available.

## Solution Oriented

Groove's versatility allows designers to maximize function and creativity of the spaces they create. This super sleek Light Box function adds pop and emphasis to printed fabric graphics, allowing your message to be seen in a whole new light. The exclusive Light Blanket layer lends a uniform glow to illuminate and draw attention to floor-supported and wall-mounted graphics.

Light Boxes can be single-sided or double-sided making them ideal for trade show displays, retail applications or eye-catching special event walls and signage.



## Framing

The Light Blanket and graphic are housed within a frame constructed of 6063 anodized aluminum, keeping the display sleek and compact. The single-sided frame is 150mm deep and the double-sided frame is 300mm deep.

The Light Blanket hangs from injection-molded clips, suspended from an integrated channel designed into the Groove extrusion. Fabric graphics snap into the front of the frame leaving a healthy amount of space to diffuse light and reduce hot spots common with backlit graphics.

Like original Groove walls, these displays piece together easily with the use of a simple torx wrench. The frame itself is durable and sturdy. Light Box corners feature multiple locks, keeping displays tight and secure while eliminating corner gaps. Groove is unique in the market with this corner design and the performance benefits it provides.



## Technology

The Groove Team developed it's own Light Blanket specifically for the Groove Light Box. This revolutionary layer of lighting is comprised of small diameter fluorescent fixtures daisy-chained together and supported in a double-sided fabric blanket. This unique combination provides for great flexibility, allowing the fluorescent lighting fixtures to adjust in size and space to fit specific design needs, and is extremely cost effective.

The Light Blanket can be packaged fully assembled making set-up that much faster. In double-sided applications, a single Light Blanket can illuminate the front and back graphics, again speeding up assembly.



## Fabric Graphics

The Groove experts designed the Light Box to work solely with KMG fabric selections. Light Box graphics are produced on a wrinkle resistant, flame retardant fabric via exclusive Photo Fabric® dye sublimation process. Photo Fabric® images have exquisite detail and resolution that stays true to original art. We provide the richest and most vibrant colors available, anchored by the deepest black in the industry. Like original Groove fabric graphics, the Light Box graphics feature a unique Tension Strip sewn directly into the fabric that simply slides into the extrusion channel and allows for quick and easy assembly.



## 30mm Smooth- 1 Groove

### Features

- Compatible with wall mounting hardware
- Grooveless exterior surface showcases extra clean appearance
- Reinforced corners featuring Solid Lock mitered corners
- Easy and rigid assembly using Tension Lock system
- Constructed with strong yet lightweight 6063 anodized aluminum
- Freestanding with use of base plates
- Uses unique Solid Lock mitered corner and Solid Lock extension connectors that allow long lengths of extrusion to break down into shippable sizes

### Mounting Methods

- Wall Mounted
- Overhead Rigging
- Floor-Supported

### Use

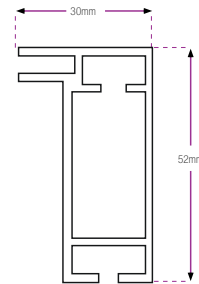
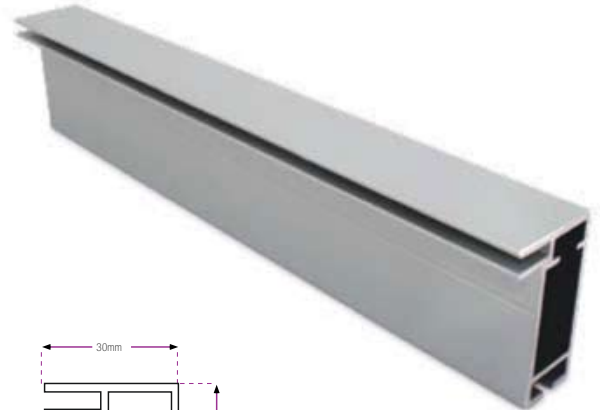
- Extrusion window for single sided graphics

### Blending

- Horizontal- 48" min. radius
- Vertical- 48" min. radius

### Powder Coating

- Yes
- Add 2 weeks to delivery



## 40mm Smooth- 2 Groove

### Features

- Compatible with 40mm Corner for room building
- Flush mounts to other Groove pieces, Max™, Octanorm™ and Agam™ with use of the 40mm Flush Connector
- Grooveless exterior surface showcases extra clean appearance
- Reinforced corners featuring Solid Lock mitered corners
- Easy and rigid assembly using Tension Lock system
- Constructed with strong yet lightweight 6063 anodized aluminum
- Freestanding with use of base plates
- Uses unique Solid Lock mitered corner and Solid Lock extension connectors that allow long lengths of extrusion to break down into shippable sizes

### Mounting Methods

- Wall Mounted
- Overhead Rigging
- Floor-Supported
- Universal Attachment

### Use

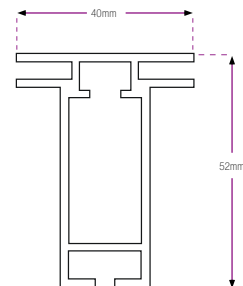
- Extrusion window for single sided graphics

### Blending

- Horizontal- 48" min. radius
- Vertical- 48" min. radius

### Powder Coating

- Yes
- Add 2 weeks to delivery



## 40mm Slotted- 2 Groove

### Features

- Compatible with 40mm Corner for room building
- External slot accepts fabric for ceiling on four-walled rooms
- Flush mounts to other Groove pieces, Max™, Octanorm™ and Agam™ with use of the 40mm Flush Connector
- Exterior surface groove allows for re-positional standoff mounting to KMG Max and Octanorm
- Reinforced corners featuring Solid Lock mitered corners
- Easy and rigid assembly using Tension Lock system
- Constructed with strong yet lightweight 6063 anodized aluminum
- Freestanding with use of base plates
- Uses unique Solid Lock mitered corner and Solid Lock extension connectors that allow long lengths

### Mounting Methods

- Wall Mounted
- Overhead Rigging
- Floor-Supported
- Self-Supported
- Universal Attachment

### Use

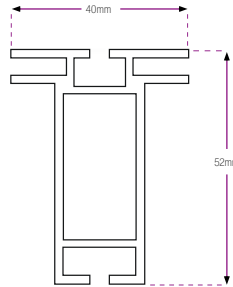
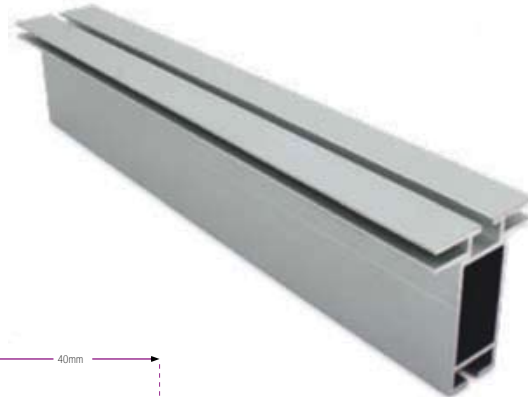
Extrusion window for double sided graphics with exterior groove for building off other extrusion system

### Blending

- Horizontal– 48" min. radius
- Vertical– 48" min. radius

### Powder Coating

- Yes
- Add 2 weeks to delivery



## 80mm Smooth- 2 Groove

### Features

- Accepts the innovative zero-bezel Hidden Monitor technology
- Compatible with 80mm Corner for room building
- Flush mounts to other Groove pieces, Max™, Octanorm™ and Agam™ with use of the 80mm Flush Connector
- Grooveless exterior surface showcases extra clean appearance
- Reinforced corners featuring Solid Lock mitered corners
- Corners accept 2 Solid Lock connections for maximum strength
- Easy and rigid assembly using Tension Lock system
- Constructed with strong yet lightweight 6063 anodized aluminum
- Freestanding with use of base plates
- Uses unique Solid Lock mitered corner and Solid Lock extension connectors that allow long lengths of extrusion to break down into shippable sizes

### Mounting Methods

- Wall Mounted
- Overhead Rigging
- Floor-Supported
- Self-Supported
- Universal Attachment

### Use

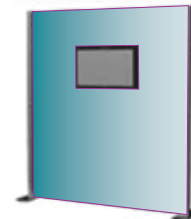
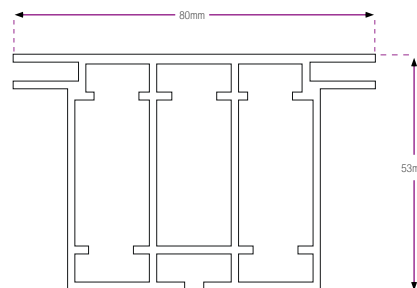
Extrusion window for double sided graphics with exterior groove for building off other extrusion system

### Blending

- Horizontal– 120" min. radius
- Vertical– No

### Powder Coating

- Yes
- Add 2 weeks to delivery



**⚠ Bending this large extrusion will create some surface marring on exposed 80mm face. Call for sample.**



## 27mm Smooth- 1 Groove

### Features

- Designed for cost conscious applications
- Compatible with wall mounting hardware
- Grooveless exterior surface showcases extra clean appearance
- Reinforced corners featuring Solid Lock mitered corners
- Easy and rigid assembly using Tension Lock system
- Constructed with strong yet lightweight 6063 anodized aluminum
- Uses unique Solid Lock mitered corner and Solid Lock extension connectors that allow long lengths of extrusion to break down into shippable sizes

### Mounting Methods

- Wall Mounted
- Overhead Rigging

### Use

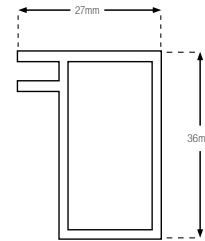
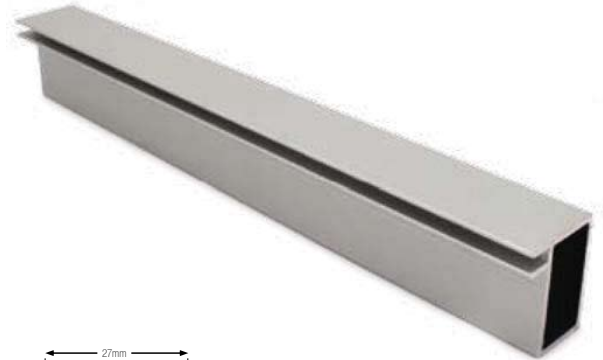
Extrusion window for single sided graphics commonly used in retail rollout projects

### Bending

Horizontal– 24" min. radius  
Vertical– 48" min. radius

### Powder Coating

Yes  
Add 2 weeks to delivery



## 150mm Light Box Extrusion

### Features

- Compatible with Light Blanket clips
- Grooveless exterior surface showcases extra clean appearance
- Reinforced corners featuring Solid Lock mitered corners
- Easy and rigid assembly using Tension Lock system
- Constructed with strong yet lightweight 6063 anodized aluminum
- Uses unique Solid Lock mitered corner and Solid Lock extension connectors that allow long lengths of extrusion to break down into shippable sizes

### Mounting Methods

- Wall Mounted
- Overhead Rigging
- Floor Supported
- Self-Supported

### Use

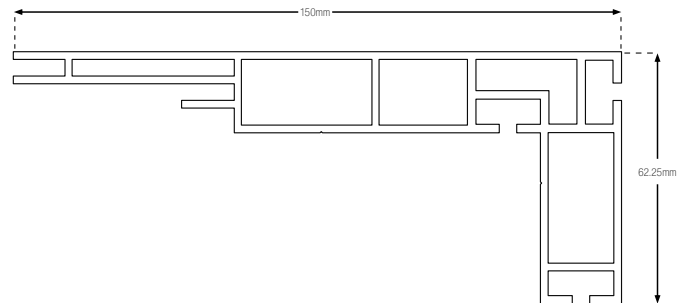
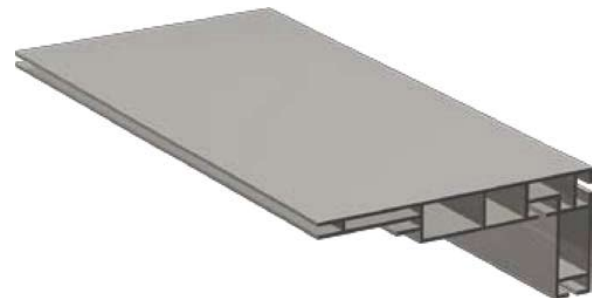
Extrusion window for single sided and double sided backlit fabric graphics

### Bending

No

### Powder Coating

Yes  
Add 2 weeks to delivery



## 40 x 40mm Corner- 2 Groove

### Features

- Compatible with 40mm graphic window extrusions for room building via quick, easy and rigid Flush Connector mechanism
- Long lengths break down into multiple sections with 40mm Extension Connector
- Grooveless exterior surface on two adjacent faces showcases 90° corners having extra clean appearance
- Optional 40mm End Cap and 40mm Foot lend a finished look
- Constructed with strong yet lightweight 6063 anodized aluminum

### Mounting Methods

- Self-Supported

### Use

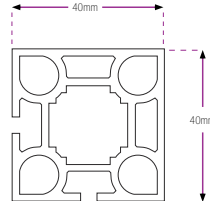
Corner extrusion for simple room building with any 40mm extrusion

### Blending

N/A

### Powder Coating

- Yes
- Add 2 weeks to delivery



## 40 x 40mm Corner- 4 Groove

### Features

- Compatible with 40mm graphic window extrusions for room building via quick, easy and rigid Flush Connector mechanism
- Long lengths break down into multiple sections with 40mm Extension Connector
- Grooveless exterior surface on two adjacent faces showcases 90° corners having extra clean appearance
- Optional 40mm End Cap and 40mm Foot lend a finished look
- Constructed with strong yet lightweight 6063 anodized aluminum

### Mounting Methods

- Self-Supported

### Use

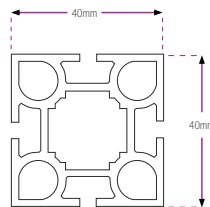
Corner extrusion for simple room building with any 40mm extrusion

### Blending

N/A

### Powder Coating

- Yes
- Add 2 weeks to delivery



## 80 x 80mm Corner- 2 Groove

### Features

- Compatible with 80mm extrusions for room building via quick, easy and rigid Flush Connector mechanism
- Long lengths break down into multiple sections with 80mm Extension Connector
- Grooveless exterior surface on two adjacent faces showcases 90° corners having extra clean appearance
- Optional 80mm End Cap and 80mm Foot lend a finished look
- Constructed with strong yet lightweight 6063 anodized aluminum

### Mounting Methods

- Self-Supported

### Use

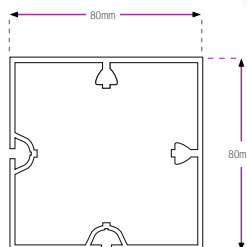
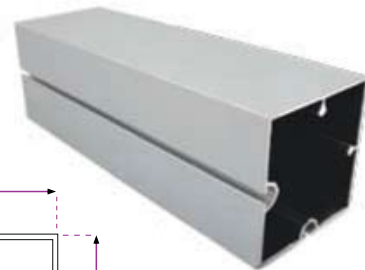
Corner extrusion for simple room building with any 80mm extrusion

### Blending

N/A

### Powder Coating

- Yes
- Add 2 weeks to delivery



## 80 x 80mm Corner- 4 Groove

### Features

- Exterior grooves on all four sides offer superior flexibility in 2-way, 3-way and 4-way corner applications
- Exterior groove accepts KMG Max standard accessories
- Compatible with 80mm graphic window extrusions for room building via quick, easy and rigid Flush Connector mechanism
- Long lengths break down into multiple sections with 80mm Extension Connector
- Optional 80mm End Cap lends a finished look on top and bottom
- Constructed with strong yet lightweight 6063 anodized aluminum

### Mounting Methods

- Self-Supported

### Use

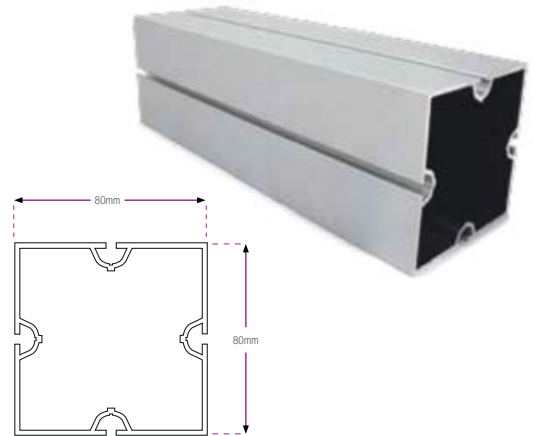
Corner extrusion for simple room building with any 80mm extrusion

### Blending

N/A

### Powder Coating

- Yes
- Add 2 weeks to delivery



## 16 x 32mm Spanner

### Features

- Completely hidden spreader sits behind fabric and provides rigidity and strength
- Used on larger graphic window frames to maintain linear accuracy
- Easy and rigid assembly using Tension Lock system to connect to extrusion's internal groove
- Long lengths break down into multiple sections with 40mm Extension Connector
- Constructed with strong yet lightweight 6063 anodized aluminum

### Use

Standard spreader bar extrusion

### Bending

Yes, as needed



## 16 x 80mm Spanner

### Features

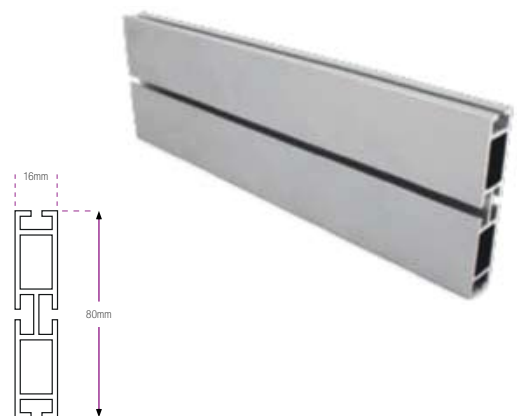
- Completely hidden spreader sits behind fabric and provides rigidity and strength
- Used on larger graphic window frames to maintain linear accuracy
- Easy and rigid assembly using Tension Lock system to connect to extrusion's internal groove
- Larger spanner size allows for 2 Tension Locks per connection
- Long lengths break down into multiple sections with 40mm Extension Connector
- Constructed with strong yet lightweight 6063 anodized aluminum

### Use

Extra strength spreader bar extrusion

### Bending

Yes, as needed



## Flush Connectors

### Features

- Connector uses standard 40mm or 80mm extrusion and is assembled as an integrated section of the extrusion window
- Number and spacing of connectors can be custom placed to suit different applications
- Simple, strong and rigid connection uses Tension Lock system to flush connect extrusions together
- Connector can be configured as a removable piece to allow conversion of a Moss Groove frame system
- Constructed with strong yet lightweight 6063 anodized aluminum

### Sizes

- 40mm
- 80mm

### Use

Connector used to attach Moss Groove flush to extrusion systems such as Moss Groove, Moss Max™, Octanorm™ and Agam™

### Bending

No

### Powder Coating

- Yes
- Add 2 weeks to delivery



40mm Moss Max/Octanorm Flush Connector



40mm Agam Flush Connector



80mm Moss Max/Octanorm Flush Connector



80mm Agam Flush Connector

## Simple Connect Base Plate

### Features

- Heavy-duty powder coated steel plate
- Uses a stud and wing nut attachment method to install quickly and efficiently
- Attaches to bottom section of extrusion window
- Hidden hardware offers clean appearance
- Best for applications that are 6' or shorter in height
- Frame attaches directly to base plate

### Sizes

- 300 x 80mm- for lightweight projects
- 400 x 100mm- for med. weight projects
- 600 x 125mm- for med. weight projects
- 800 x 150mm- for heavyweight projects

### Use

Offers floor support using single attachment point

### Powder Coating

- Yes
- Add 2 weeks to delivery



Simple Connect Base Plate In Use

## Max Connect Base Plate

### Features

- Heavy-duty powder coated steel plate
- Extended stud and lock attachment method installs quickly and efficiently and offers greater stability
- Extended stud passes through bottom section of extrusion window and interfaces with an additional section of cross extrusion
- Hidden hardware offers clean appearance
- Multiple points of contact between base and extrusion frame make this system best for applications that are 6' or taller in height
- Frame rests on base plate without attaching

### Sizes

- 300 x 80mm- for lightweight projects
- 400 x 100mm- for med. weight projects
- 600 x 125mm- for med. weight projects
- 800 x 150mm- for heavyweight projects

### Use

Offers extra-strength floor support using two attachment points

### Powder Coating

- Yes
- Add 2 weeks to delivery



Max Connect Base Plate In Use



## Wall Mounting Hardware

### Features

- Z-shaped cleat is attached to wall and KMG Groove is attached to cleat, making for quick and easy installation
- Graphic replacement is simple as frame can remain on wall or be easily removed
- Cleat may also be screwed directly into extrusion for permanent installation and greater security
- Hardware connection is completely hidden behind the fabric graphics, giving the display a neat and clean appearance

### Sizes

- Small (for 27mm & 30mm extrusions)
- Large (for 40mm extrusions)

### Use

Allows single sided panels of KMG Groove to be wall mounted



## Extension Connector

### Features

- Internal connector mechanism that attaches two pieces of 40mm or 80mm extrusion, allowing for longer spans of framing and more compact packaging
- Features unique Solid Lock extension connection
- Constructed with strong yet lightweight 6063 anodized aluminum

### Sizes

- 40mm
- 80mm

### Use

Connects two lengths of leg extrusion



## Feet

### Features

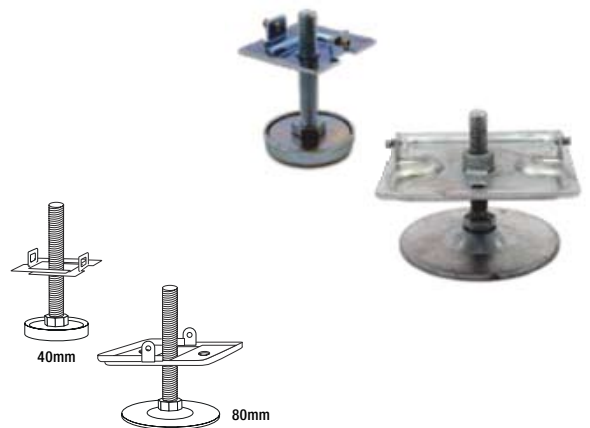
- Accommodates uneven flooring by allowing for leveling of the corners of rooms created with 40mm or 80mm corner extrusion
- Allows bottom extrusions to be raised up slightly off the ground

### Sizes

- 40mm
- 80mm

### Use

Foot for corner leg extrusions



## End Cap

### Features

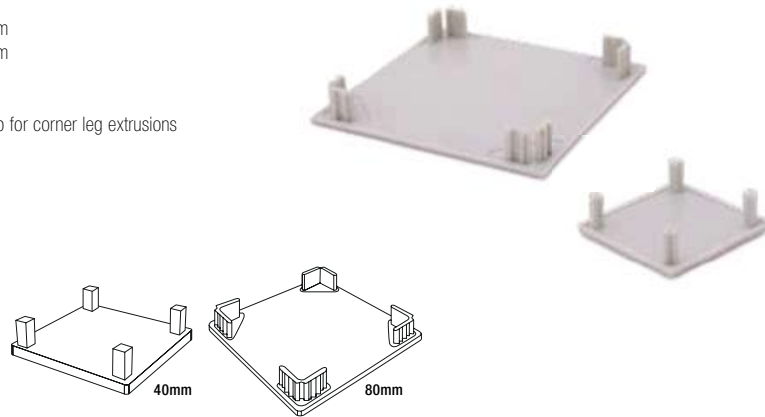
- Provides a finished look for the top of 40mm or 80mm corner extrusion

### Sizes

- 40mm
- 80mm

### Use

End cap for corner leg extrusions



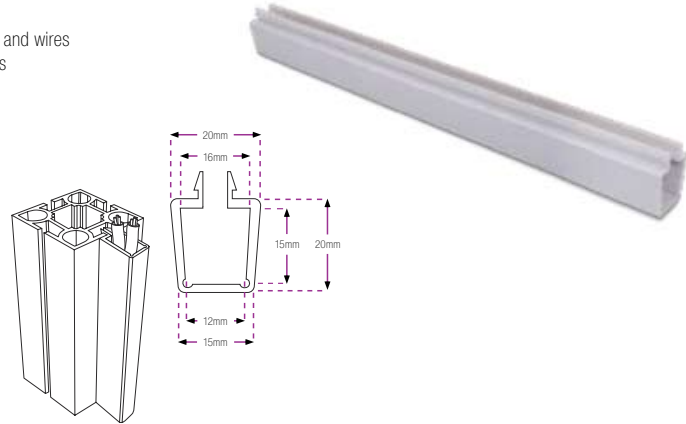
## Wire Management Track

### Features

- Color-coordinated plastic track enables cables to pass down extrusion to power source without the appearance of noticeable wiring
- Affixes to all external and internal extrusion channels
- Prevents wires from contacting fabric
- Will also attach to internal spreader bars

### Use

Hides power cords and wires down leg extrusions



## Arm Light

### Features

- Economic solution for external spot lighting
- Simple attachment of light to extrusion via machined hole in extrusion top surface
- Main bulb and spare bulb both packaged together in protective case
- Entire lighting kit fits into nylon carrying bag

### Use

50 watt halogen light with spare bulb

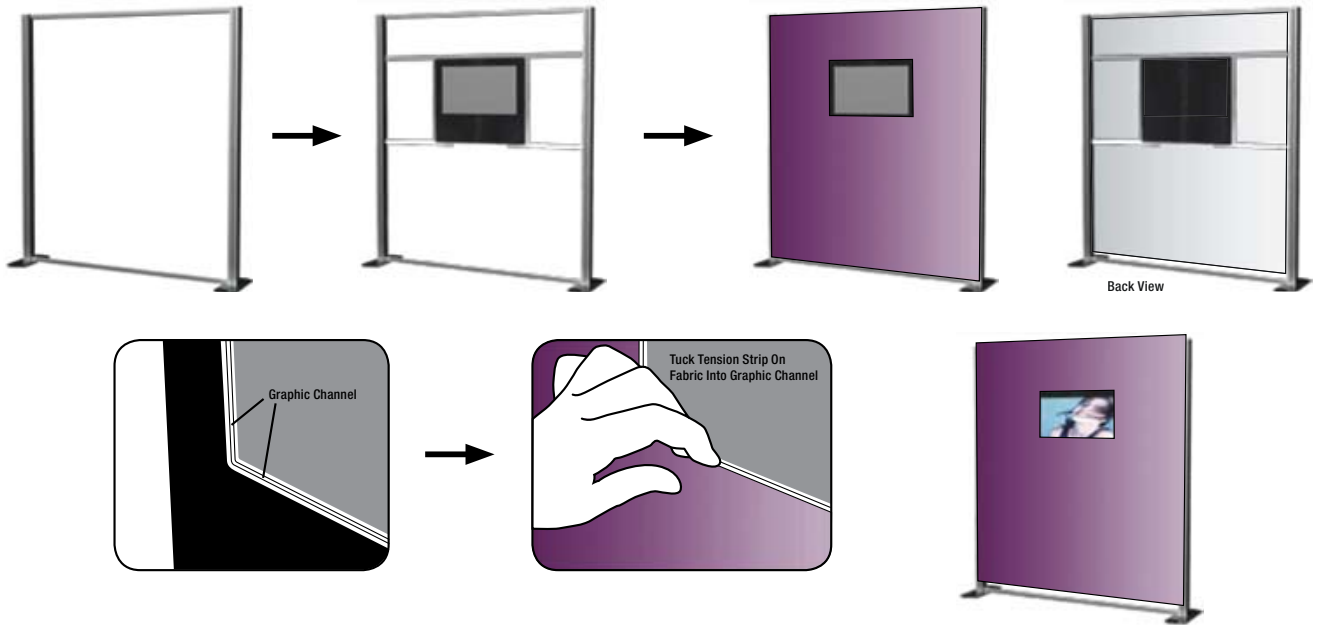


Hidden Monitor

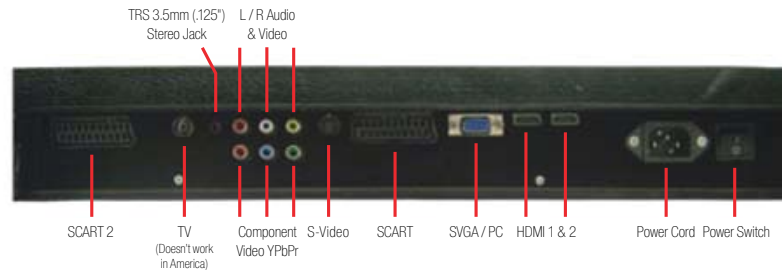
KMG Groove's Hidden Monitor is uniquely designed with a graphic channel that allows the fabric to frame the entire monitor.

Multiple monitors may be used in the same graphic window.

See graphic template for specifications. Requires 80mm Smooth- 2 Groove extrusion and 32" HD Monitor (below).



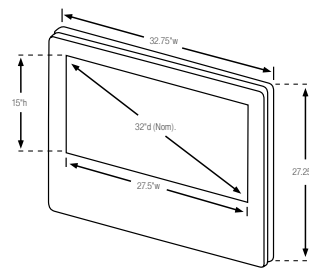
A variety of AV connections allow the monitor to be used with many input devices.



32" HD Monitor

Features

- Remote Control (Monitor can be controlled via remote or by controls located on the monitor)
- Samsung LCD panel
- Resolution: Wide XGA
- Aspect Ratio: 16:9
- Max Resolution: 1,366 x 768 @60 Hz
- Contrast Ratio: 1200:1
- Brightness (cd m2): 500
- Response Time: 8 ms.
- Viewing Angle: 90/90/90/90
- Inputs: Supported Signals: 480P/576P/720P/1080i, HDMI (Qty. 2), SVGA / PC, TRS 3.5mm (.125") Stereo Jack, L / R Audio & Video, Component Video (YPbPr)(Qty. 2), SCART (Qty. 2), S-Video
- Weight: 29.4 Lbs.
- One year warranty



**⚠ Not recommended for long-term use in a permanent setting.**



fabric light boxes

corporate interior

tradeshow

retail decor

