



DISPLAYTM HARDWARE

quick-fab walls

banner stands

podiums

outdoor displays

PORTABLE BACKWALLS

Quick Fab™	1
Adjustable Frame	2
Premier Stand	3

INDOOR BANNER STANDS

Allure	4
Classic 1 & 2™	5
Classic 3.5™	6
Value Stand	7
V1 & V2.	8
Impression	9
Rapid Stand™	10

PODIUMS

Pop-up Counter	11
Entasi™ Podiums	12

TABLE TOP DISPLAYS

Entasi™ Table Tops	13
------------------------------	----

OUTDOOR BANNER STANDS

Flex Banners.	14
EZ Flag™	15
Jumbo Flag	16
Jumbo Sign	17

TENTS & CANOPIES

Display Tent™	18
Optidome	19

TABLE COVERS

Table Covers.	20
-----------------------	----

SHOW CLIPS

Show Clips	21
----------------------	----

Hassle Free Guarantee

If it breaks, we'll fix it!*

- Warranty is for the lifetime of the product and covers breakage that occurs during normal intended use.
- Manufacturer reserves the right to repair or replace the product.
- Customer is responsible for paying return shipping.
- Manufacturer will pay for shipping via ground back to the customer.

*On select products. Please contact us before returning any product.



Impress customers with a high impact Quick Fab™ pop-up display. This economical and lightweight display has an interchangeable fabric graphic that collapses down with the frame and fits within a duffel size bag.

- Quick & Easy Set-up
- Quality Workmanship
- Replaceable Graphic
- Portable

Hassle Free Guarantee

If it breaks, we'll fix it!*

INCLUDED COMPONENTS



Frame



Durable Nylon Carrying Bag

ACCESSORIES



Printed Case Wrap



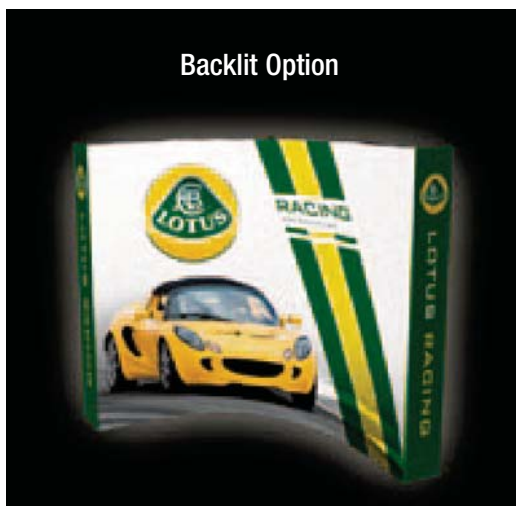
Hard Case With Table
27.5" W x 16" D x 38" H – O.D.



Light Package
Two 200 watt Halogen Lights



Backlit Kit



Backlit Option

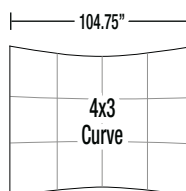
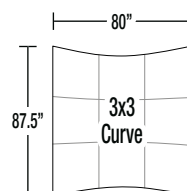
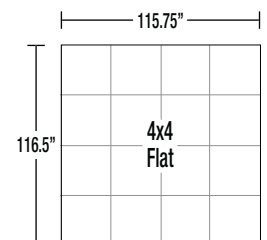
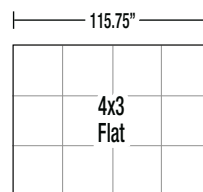
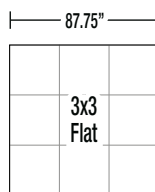
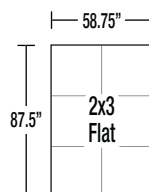
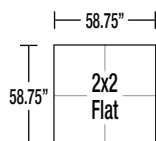


Collapsible Frame



Velcro Attachments

SIZES





Adjustable Frames are adjustable, lightweight, and durable making them an attractive, high-impact solution for trade shows, point-of-purchase, or event marketing.

- Adjustable
- Lightweight
- Durable
- Replaceable Graphic



One Frame — Multiple Sizes

INCLUDED COMPONENTS

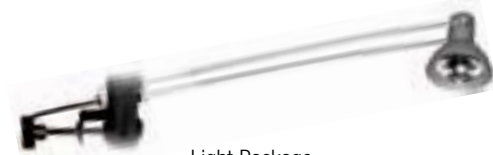


Frame
Available in Black



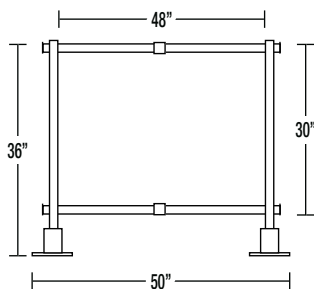
Nylon Carrying Bag

ACCESSORIES

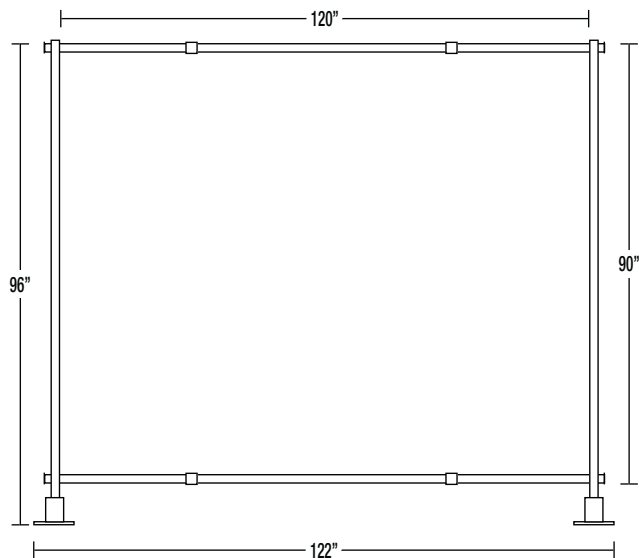


Light Package
50 watt Halogen Light,
Fixture

SIZES



Min Size



Max Size



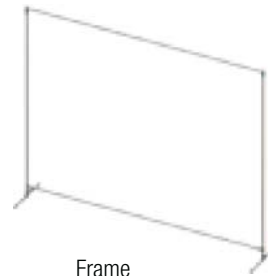
Premier Stand is the toughest display stand in the industry. They are made from strong 1.25" anodized aluminum tubing and metal connection joints. They are great for heavy show use, visual barriers, or backdrops.

- Compact
- Durable
- Numerous Sizes
- Replaceable Graphic

Hassle Free Guarantee

If it breaks, we'll fix it!*

INCLUDED COMPONENTS



Frame
Available in Silver

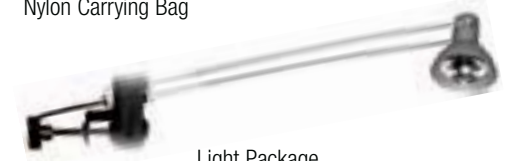


Hex Wrench

ACCESSORIES



Nylon Carrying Bag

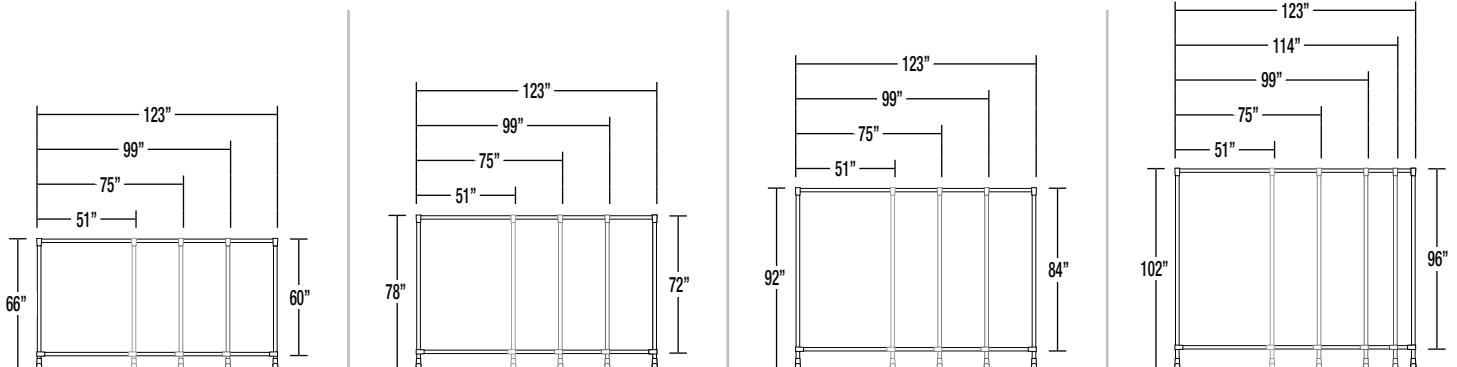


Light Package
50 watt Halogen Light,
Fixture



Slim Line Corner Joint

SIZES



17 Frame & Graphic Sizes Available



Allure offers a refreshing new twist to the traditional banner stand. It is the perfect combination of style and substance and can be used for displaying product and graphics at trade shows, in retail environments or at special events and exhibits.

- Attractive
- Quick & Easy
- Versatile
- Replaceable Graphic

INCLUDED COMPONENTS



Carrying Bag



Frame

ACCESSORIES



Shelf Kit

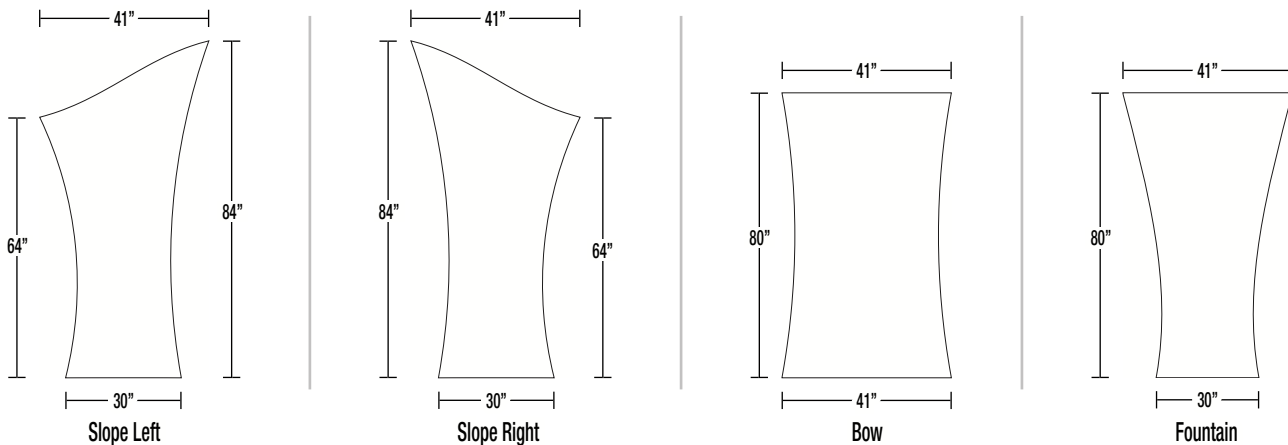


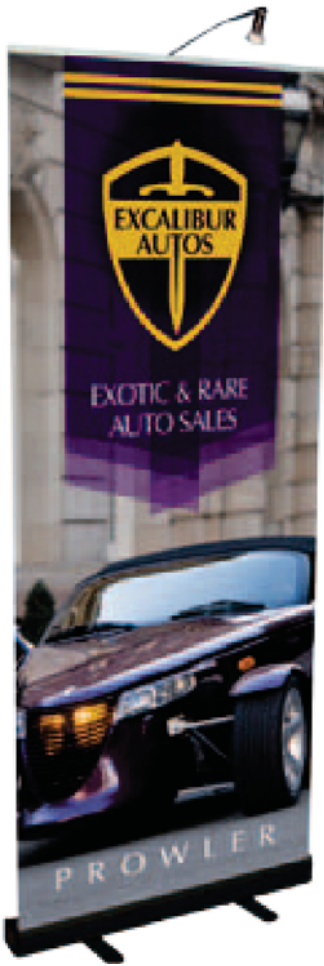
Support Base

Light Package
Nylon Bag, 50W bulb,
and Light Fixture



SIZES





Retractable Banner Stand



Classic 1™
Single Sided



Classic 2™
Double Sided
(not available in 47.2" size)

Classic 1 & 2™ retractable banner stands provide the ultimate in convenience and style. They are lightweight and set-up in seconds. The graphic comes pre-installed so the display is immediately ready to go.

- Quick & Easy Set-up
- Quality Workmanship
- Replaceable Graphic

Hassle Free Guarantee

If it breaks, we'll fix it!*

INCLUDED COMPONENTS

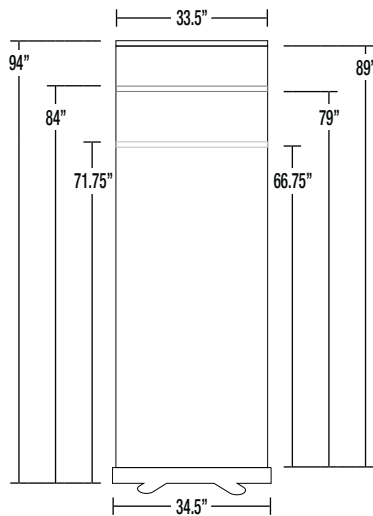


ACCESSORIES

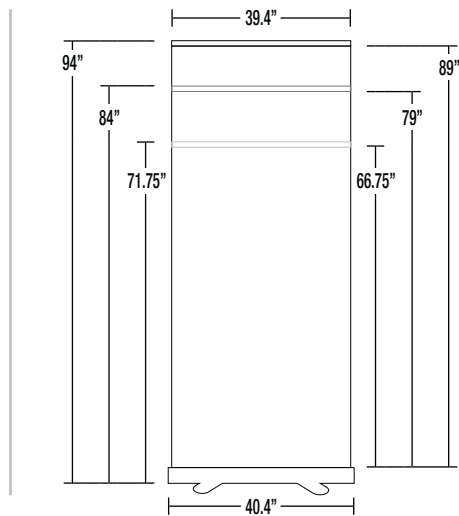


†Fits 33.5" and 39.4" sizes.

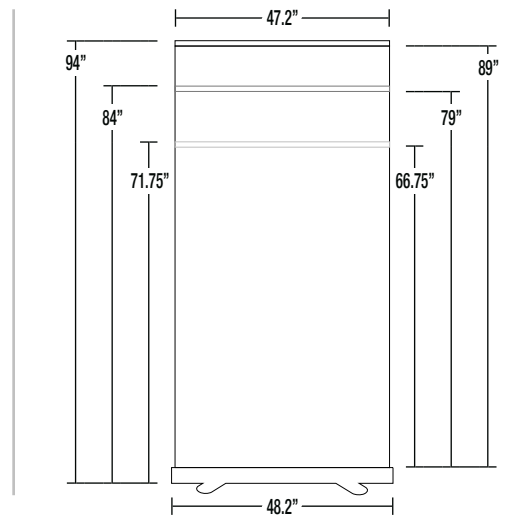
SIZES



Pole Height & Graphic are Adjustable



Pole Height & Graphic are Adjustable

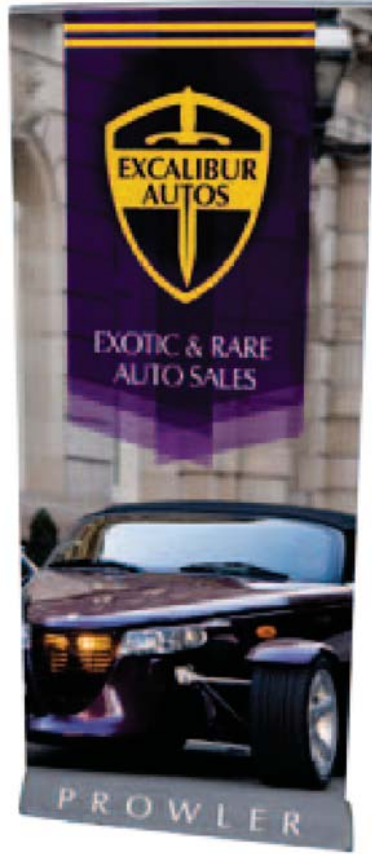


Pole Height & Graphic are Adjustable

Note: Refer to templates for art layout. Note: Graphic Pole can adjust to fit any size graphic between 66.75" and 91".



Retractable Banner Stand



Classic 3.5™ offers a modern fresh look to the ordinary retractable banner stand. It has a sleek printable base is light-weight and sets-up in less than a minute. The graphic comes pre-installed so the display is immediately ready to go.

- Printable Base
- Quick & Easy Set-up
- Quality Workmanship
- Replaceable Graphic

Hassle Free Guarantee
If it breaks, we'll fix it!*

INCLUDED COMPONENTS



Durable Nylon Carrying Bag



Reusable Snap-lock Profile



Base Unit w/End Caps
Available in Silver, Black or Printed



Collapsible Pole

ACCESSORIES

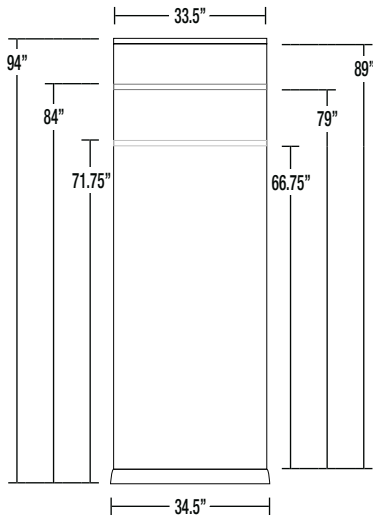


Light Package
Nylon Bag, 50W bulb,
and Light Fixture

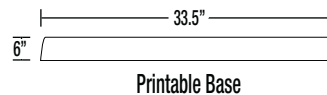


Printed Base Graphic

SIZES



Pole Height & Graphic are Adjustable



Printable Base



Retractable Banner Stand



Value Stand is the perfect budget oriented retractable banner stand. It is extremely lightweight, sets-up in less than a minute, and is priced to sell. The graphic comes pre-installed so the display is immediately ready to go.

- Economical
- Quick & Easy Set-up
- Replaceable Graphic

INCLUDED COMPONENTS



Durable Nylon Carrying Bag



Snap-lock Profile



Base Unit
Available in Silver



Collapsible Pole

ACCESSORIES

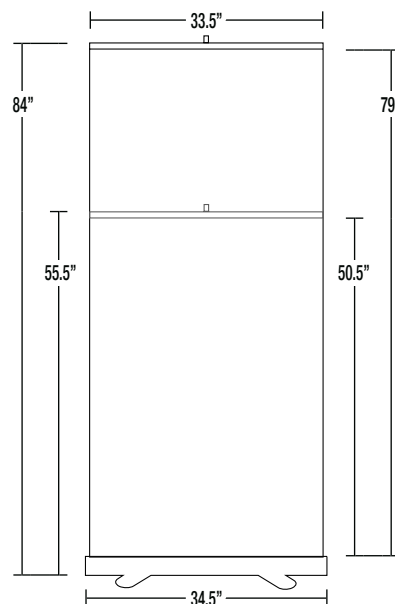


Hard Case



Light Package
Nylon Bag, 50W bulb,
and Light Fixture

SIZES



Two Pole & Graphic Height Settings



V1 and V2 stands are the most attractive and economical banner stands on the market. The graphic height is adjustable and their unique, stylish design attracts attention and makes the graphic look like it's floating in air.

- Economical
- Quick & Easy Set-up
- Replaceable Graphic
- Quality Workmanship

Hassle Free Guarantee

If it breaks, we'll fix it!*

INCLUDED COMPONENTS



V1 Frame
Single Sided
Available in Silver or Black



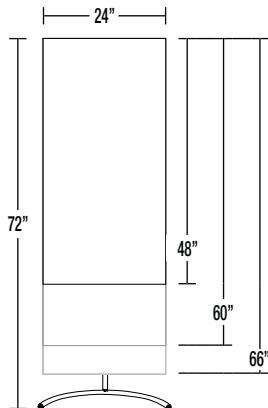
V2 Frame
Double Sided
Available in Silver or Black

ACCESSORIES

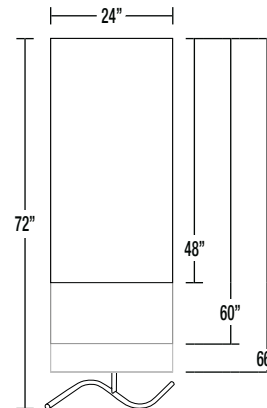


Nylon Carrying Bag

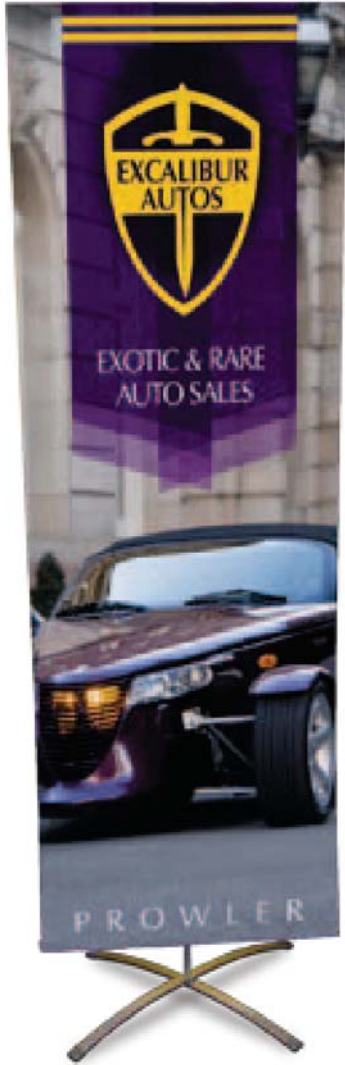
SIZES



Graphic Height is Adjustable



Graphic Height is Adjustable



Assembled Stand



Impression Frame
Can Be Used Single or Double Sided

The Impression floor stand adds an element of simplistic beauty to any event, retail or trade show environment. Impression's snap connectors and Velcro graphic attachments make for a quick and easy set-up. An affordable solution for on-the-go branding, this display is both lightweight and very user-friendly.

- Totally Tool-less
- Replaceable Graphic
- Quality Printing
- Economical

INCLUDED COMPONENTS



Nylon Carrying Bag



Pole



4 Graphic Profiles



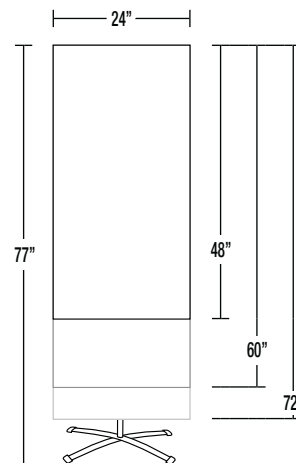
4 Profile Connectors



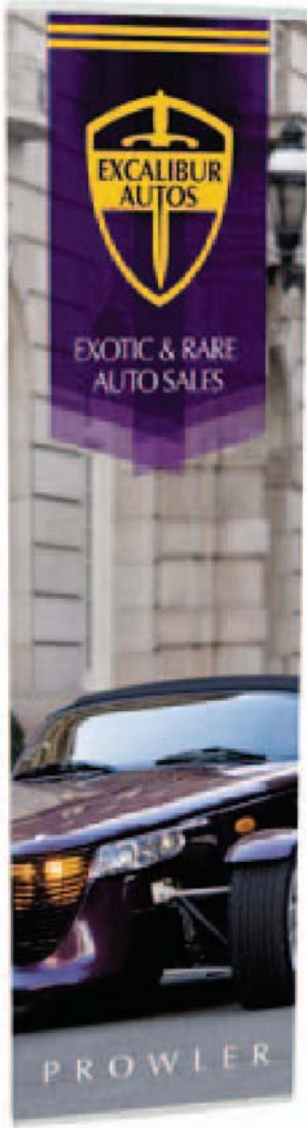
Base Unit

Available in Silver or Black

SIZES



Graphic Height is Adjustable



Collapsible Frame



Stabilizing Foot

This sleek and attractive stand is perfect for displaying graphics during sales presentations, special events, tradeshow, or in retail environments. It is lightweight and sets up in less than a minute. The graphic comes pre-installed so the display is immediately ready to go.

- Quick & Easy Set-up
- Quality Workmanship
- Replaceable Graphic

Hassle Free Guarantee

If it breaks, we'll fix it!*

INCLUDED COMPONENTS



Durable Nylon Carrying Bag



Collapsible Pole



Snap-lock Profile



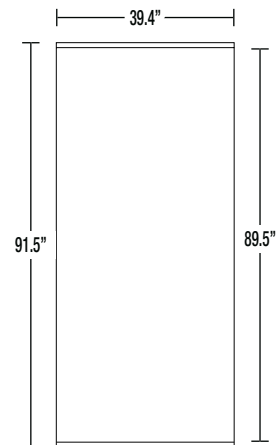
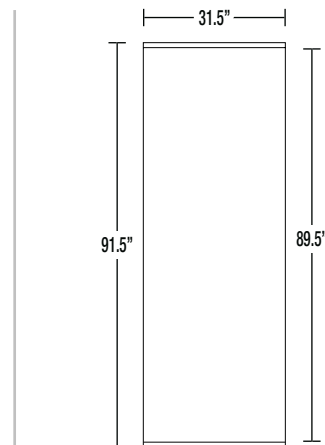
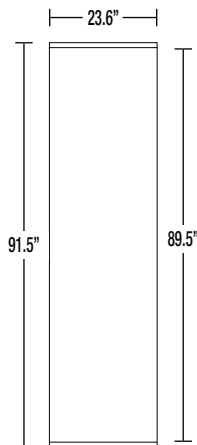
Stabilizing Foot

ACCESSORIES



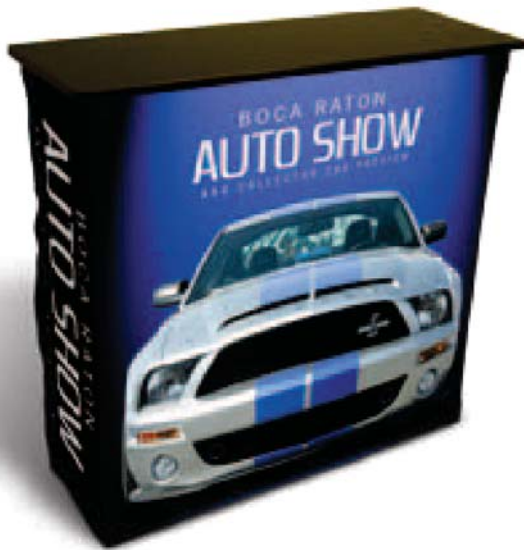
Light Package
Nylon Bag, 50 watt Halogen Light,
Spare Bulb, Fixture

SIZES



Pop-up Counter

PODIUMS



Assembled Podium



Rear View



Velcro Attachments

Add a customized element to your display or use the Pop-up Counter as a stand-alone station. This economical and lightweight podium has an interchangeable fabric graphic that collapses down with the frame and fits within a duffel size bag.

- Quick & Easy Set-up
- Replaceable Graphic
- Portable

Hassle Free Guarantee

If it breaks, we'll fix it!*

INCLUDED COMPONENTS



Collapsing Frame & Attached Graphic



Frame, Counter Top and Storage Shelf



Durable Nylon Carrying Bag

COUNTERTOP OPTIONS

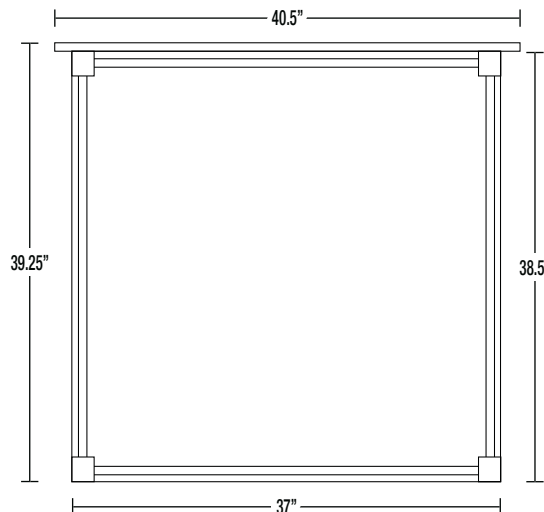


White



Black

SIZES



Load Weights (Evenly Distributed)

Counter Top: 35 lbs.
Storage Shelf: 15 lbs.

Dimensions

Counter Top: 40.5" W x 18.5" D
Storage Shelf: 38.5" W x 15" D



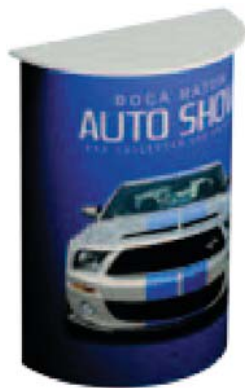
Oval Podium

The Entasi Podium collection offers a unique solution to traditional table and counter display needs. Available in three exclusive shapes, these podiums piece together quickly and easily without the use of tools. Accent an existing display or use as a stand alone station.

- Unique & Stylish
- Quick & Easy
- Product Friendly
- Replaceable Graphic



Arch Podium



Curved Podium

BACKER STOCK COLORS



White



Black



Cream
PMS 7500C*



Sand
PMS 7534U*



Burgundy
PMS 222C*



Red
PMS 187C*



Maize
PMS 7409C*



Royal Blue
PMS 287U*



Deep Blue
PMS 2945U*



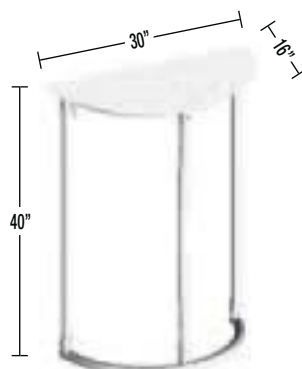
Steel Blue
PMS 644U*

*PMS colors are approximate, actual color may vary.

SIZES



Oval Podium



Curved Podium



Arch Podium

Load Weights (Evenly Distributed)
Counter Top: 18 lbs.



Vertical Curved

Constructed with sturdy 1.25" aluminum tubing and our exclusive Quick Lock connectors, Entasi table top displays are designed to be assembled quickly and easily without the use of tools. The tubing is shock-corded together so there's no need to sort and match up parts. A Photo Fabric™ pillowcase graphic wraps the entire frame, giving the display a polished, clean look.

- Unique & Stylish
- Durable & Reliable
- Quick & Easy
- Replaceable Graphic



Horizontal Curved



Flat

BACKER STOCK COLORS



White



Black



Cream
PMS 7500C*



Sand
PMS 7534U*



Burgundy
PMS 222C*



Red
PMS 187C*



Maize
PMS 7409C*



Royal Blue
PMS 287U*



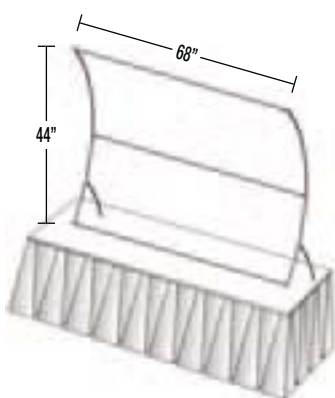
Deep Blue
PMS 2945U*



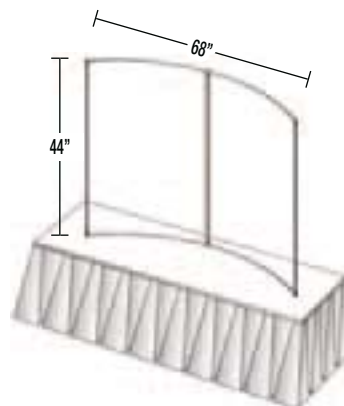
Steel Blue
PMS 644U*

*PMS colors are approximate, actual color may vary.

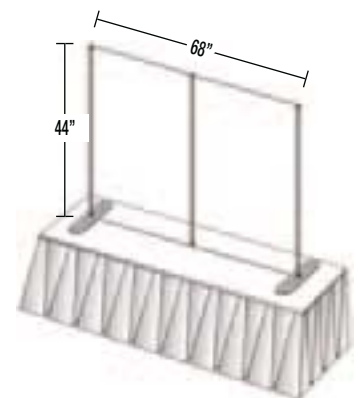
SIZES



Vertical Curved



Horizontal Curved



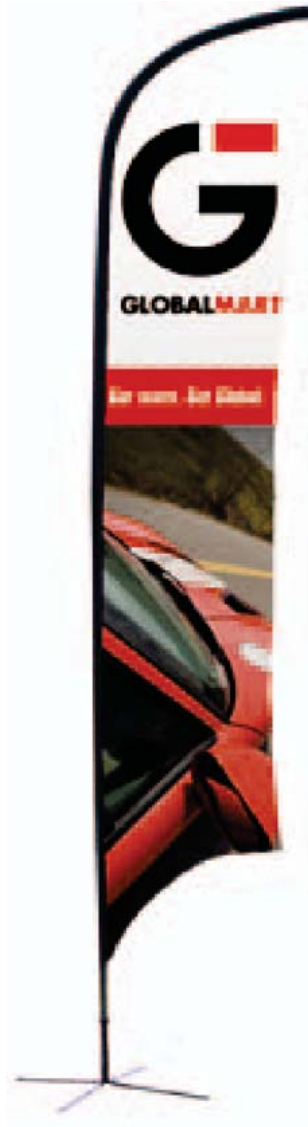
Flat

Flex Banners have a unique design and rotating pole that allows them to withstand uncontrollable weather conditions, while still effectively delivering your message.

- Eye-Catching
- Quick & Easy Set-up
- Indoor or Outdoor
- Replaceable Graphic



Teardrop™



Bow Flag™

INCLUDED COMPONENTS



Nylon Carrying Bag



Aluminum / Fiberglass Pole

Note: A Ground Stake or Hard Surface Stand is Required.

ACCESSORIES



Hard Surface Stand

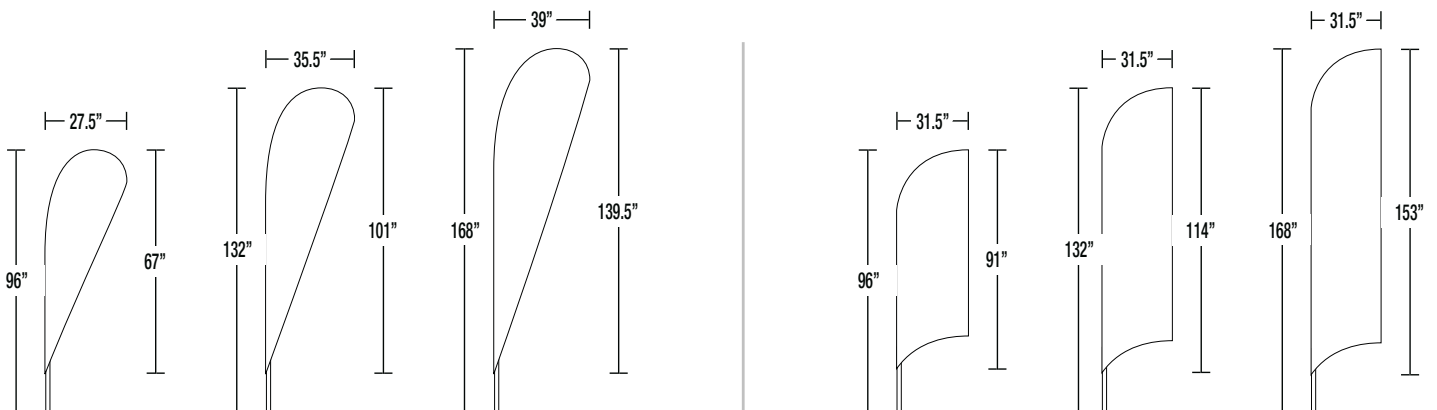


Weighted Ring



Ground Stake

SIZES



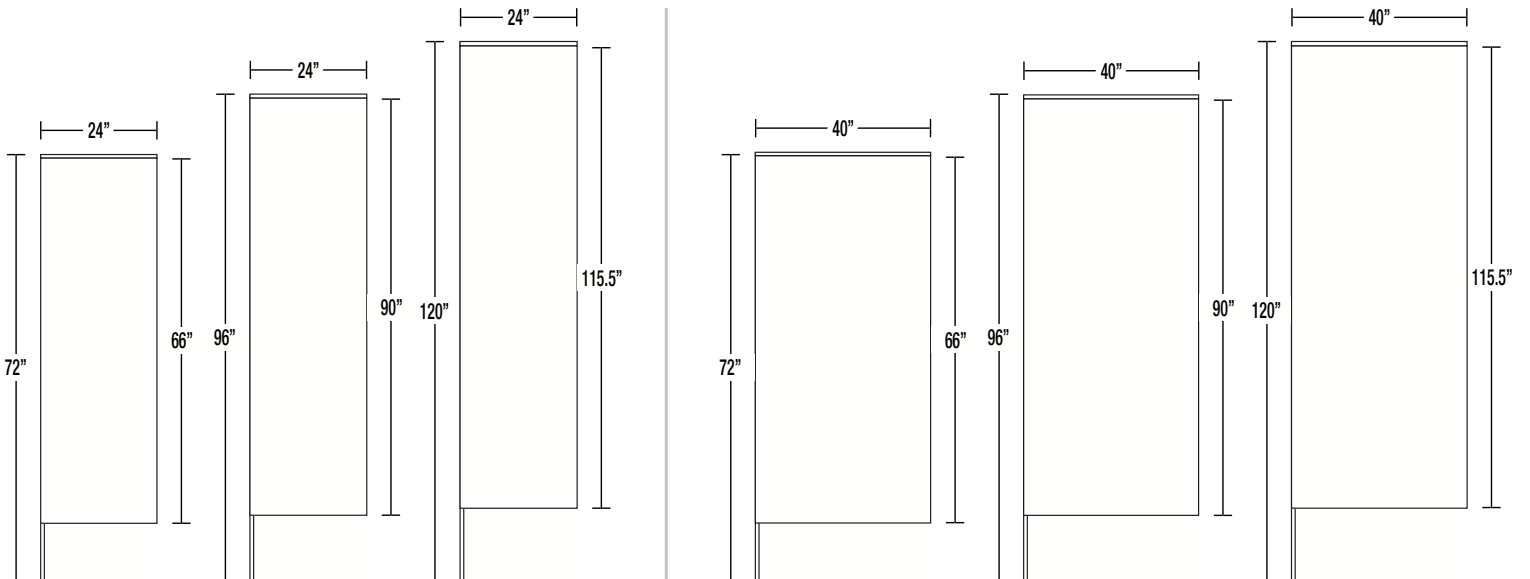
EZ Flag is a perfect economical flag solution that can be used anywhere. The EZ Flag system is ideal for outdoor graphics being used by retailers or to promote special events or exhibits.

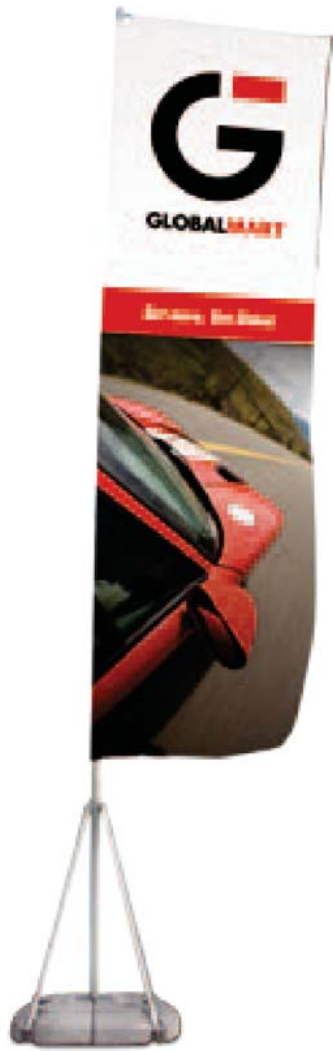
- Economical
- Quick & Easy Set-up
- Sturdy
- Replaceable Graphic



INCLUDED COMPONENTS	
	Aluminum Poles
	EZ Glider Collar
ACCESSORIES	
	Hard Surface Stand
	Ground Stake
	Carrying Bag

SIZES





Base

Jumbo Flag has a sturdy base and a swiveling aluminum pole allowing it to withstand uncontrollable weather conditions. They are ideal for any outdoor event and exhibit.

- Large Graphic Area
- Sturdy
- Durable and Long Lasting
- Easy Set-up
- Replaceable Graphic

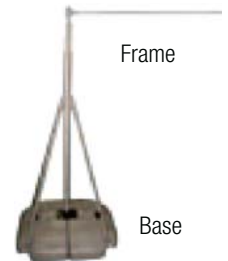
Hassle Free Guarantee

If it breaks, we'll fix it!*

INCLUDED COMPONENTS



Frame Bag



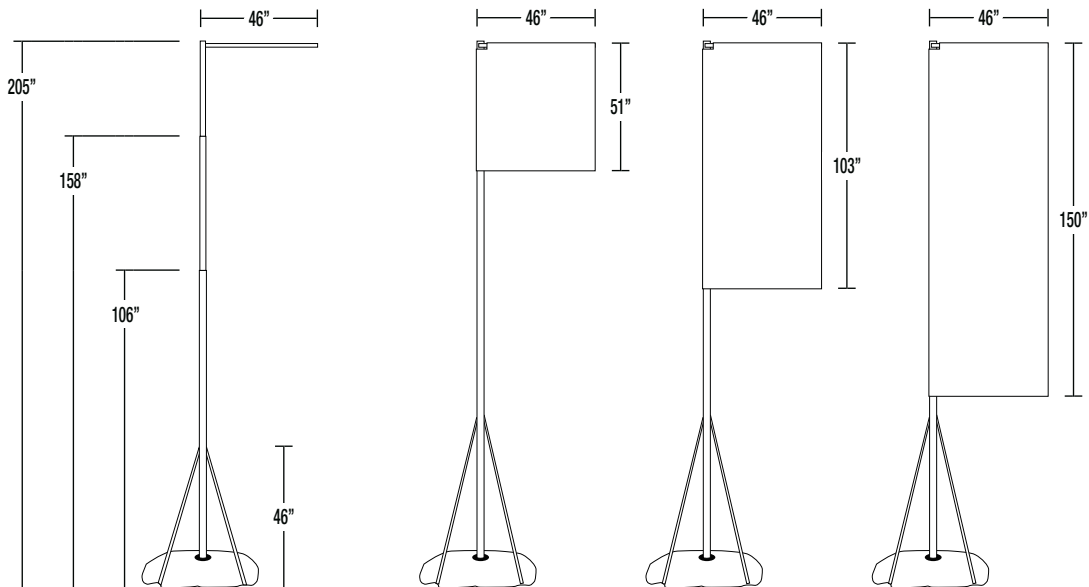
Frame



Base Bag

Base

SIZES





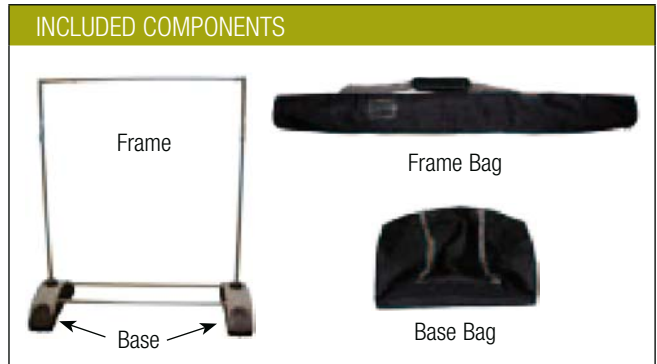
Jumbo Sign has a sturdy base and aluminum poles allowing it to withstand uncontrollable weather conditions. They are ideal for any outdoor event and exhibit.

- Adjustable Size
- Large Graphic Area
- Sturdy
- Durable and Long Lasting
- Replaceable Graphic

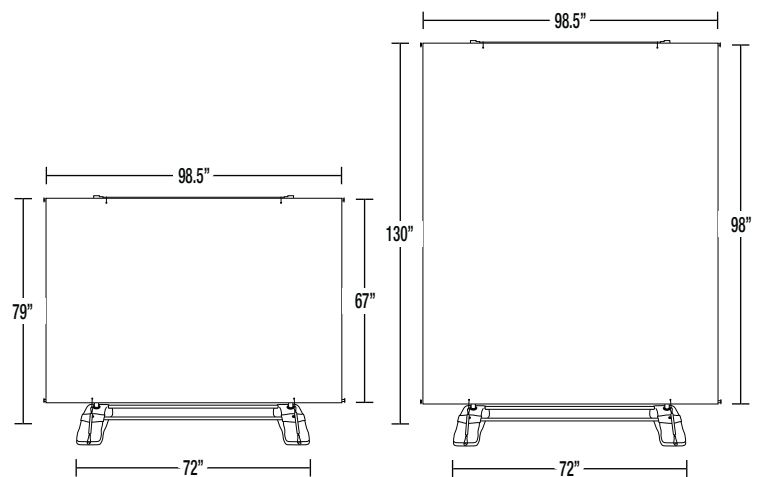
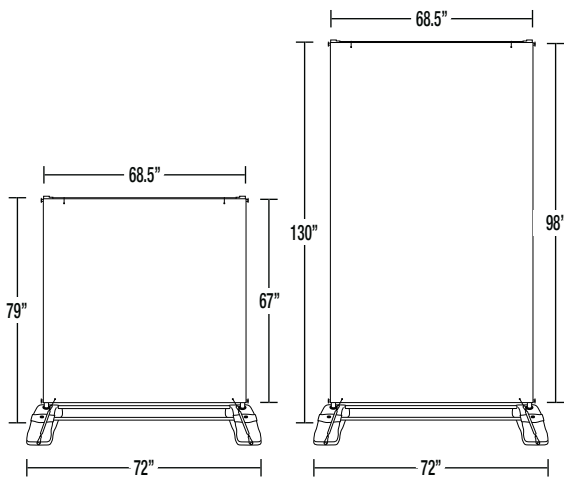
Hassle Free Guarantee
If it breaks, we'll fix it!*



Adjustable Size Frame
Can Be Used Single
or Double Sided



SIZES





Display Tent™ is the ultimate sun block for any event. It's made with strong yet lightweight aluminum. It offers 100% UV protection and is both water resistant and fire resistant.

- Simple to Set Up
- Safe
- Adjustable
- Stable
- Replaceable Graphic

INCLUDED COMPONENTS



Frame



Stakes (4 each)



Polyester Bag

COLORS



White



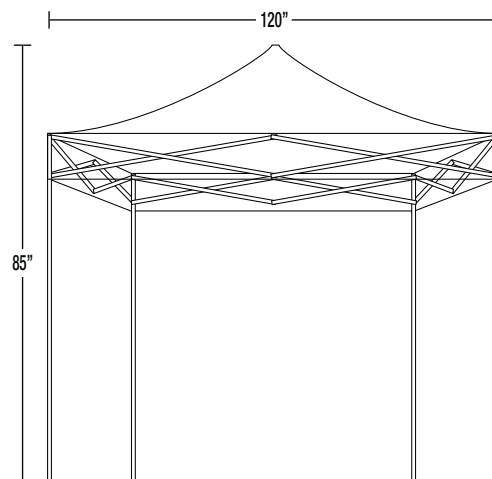
Blue
PMS 287C



Red
PMS 200C

Note: Custom sizes available. PMS colors are approximate, actual color may vary.

SIZES





Add beauty and elegance to any venue with the graceful arches and unique shape of the Optidome. The freestanding Optidome is ideal for temporary outdoor events. Create a traveling branding environment with customized graphics and company logos.

- Quality Workmanship
- Numerous Sizes
- Eye-Catching
- Durable & Long Lasting
- Replaceable Graphic

ACCESSORIES

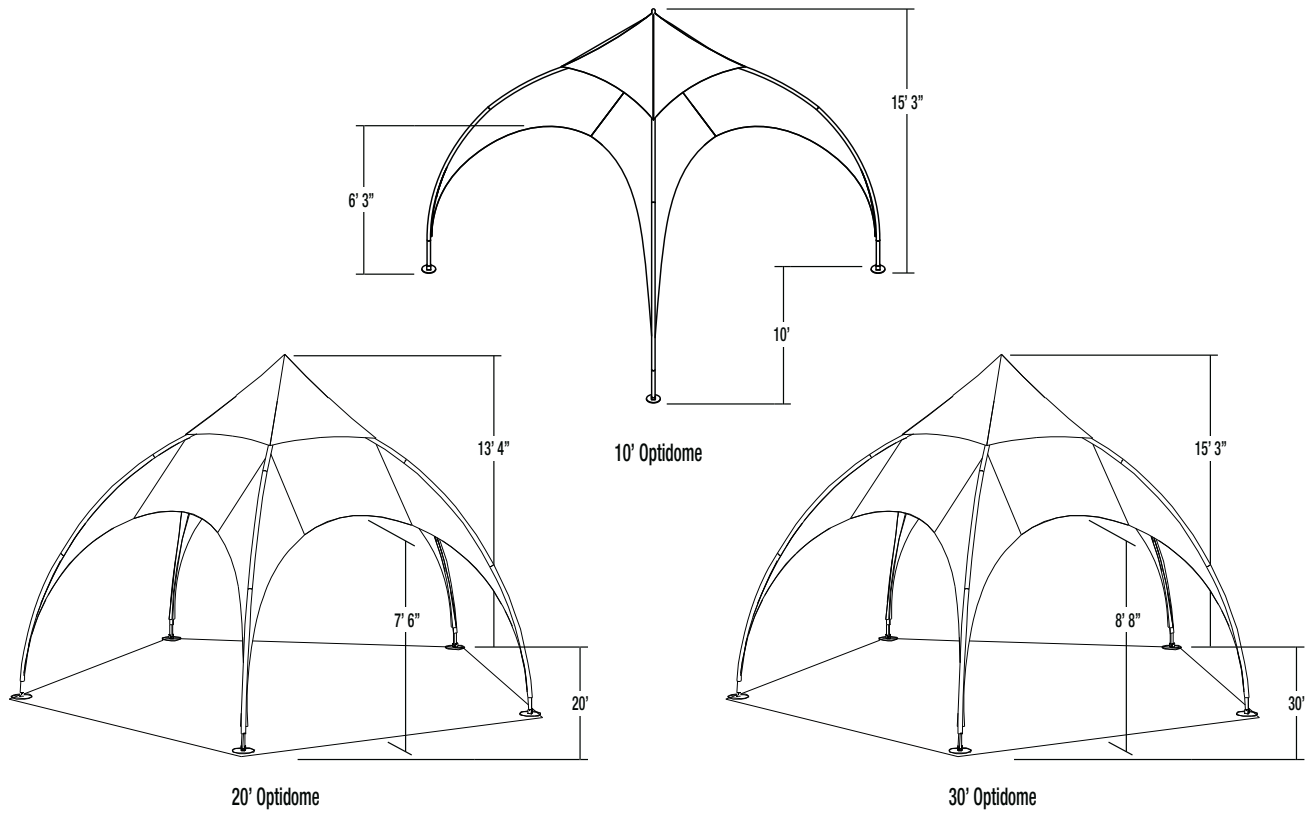


Visors

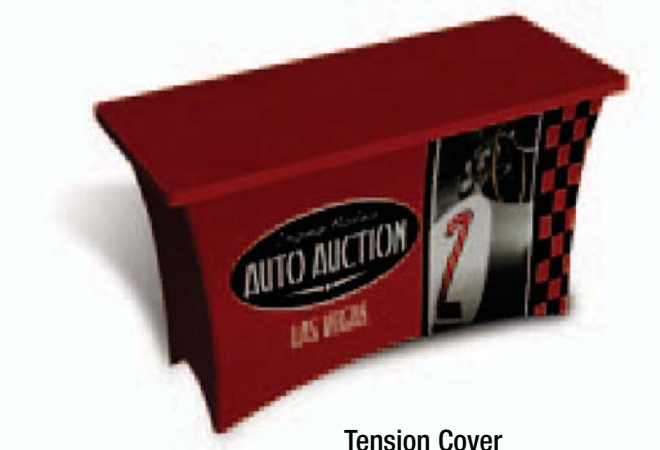


Zip-in Walls

SIZES



Warranty period is one year from date of purchase. Note: Refer to templates for art layout.



Tension Cover

Table covers instantly transition an ordinary table into a message board for your company's logo at any event. Choose the stretchy TensionCover for a more modern element or use the Fitted Table Cover or Table Drape for a more classic approach.

- Quick & Easy Set-up
- Lightweight
- Economical



Fitted

STOCK COLORS

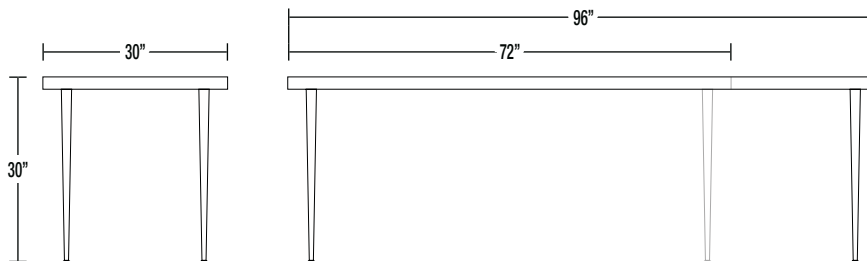
White	Black	Cream PMS 7500C*	Sand PMS 7534U*
Burgundy PMS 222C*	Red PMS 187C*	Maize PMS 7409C*	Royal Blue PMS 287U*
Deep Blue PMS 2945U*	Steel Blue PMS 644U*		

*PMS colors are approximate, actual color may vary.



Drape

SIZES



Covers are designed to fit the above table sizes.



**Standard
Pipe & Drape**

Transform ordinary pipe and drape into a professional looking back wall with just a handful of ShowClips. These Velcro-ready clips snap on easily over standard decorator pipe, making a ready-to-hang surface for any Velcro-based fabric banner.

- Economical
- Replaceable Graphic
- Quick & Easy Set-up



**Banner Hung with
ShowClips**

INCLUDED COMPONENTS



ShowClip



DISPLAYTM HARDWARE

quick-fab walls

banner stands

podiums

outdoor displays